

Heat Management System for Carbon Capture and Storage Industry

Raychem

Utilities Systems Tracing

- Cooling water
- Low pressure steam lines
- Steam condensate
- Utility water

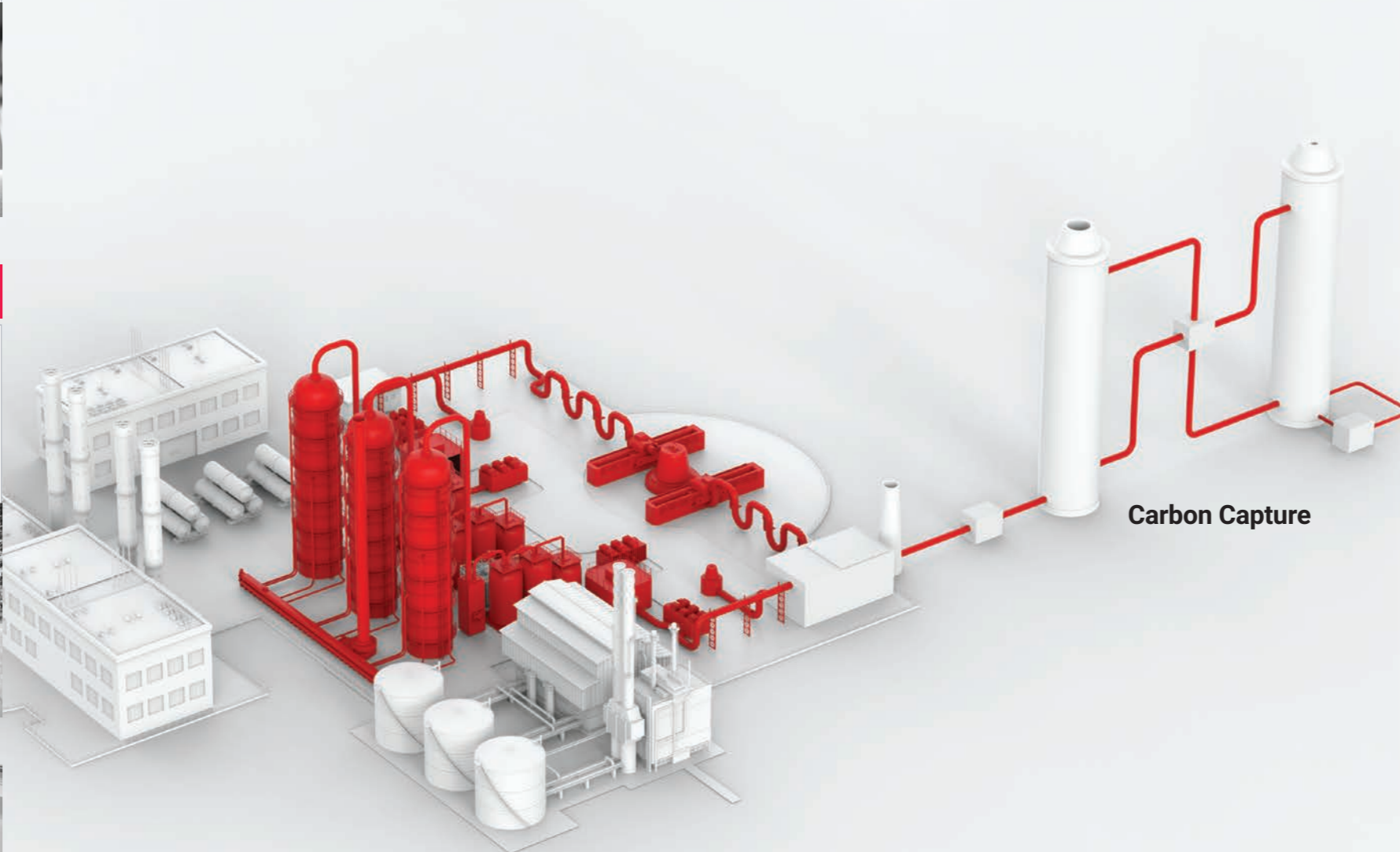


Process Pipe Tracing

- Lean/rich Amine System Piping and Exchangers
- CO2 Dehydration System Piping
- Caustic Piping
- Compressor Lube Oil System



The Carbon Capture and Storage (CCS) industry is playing a critical role in reducing CO2 emissions into the atmosphere. This adds more demand on industrial processes. Keeping operations running efficiently is crucial. Chemelex provides a heat management system engineered to protect critical process temperatures and prevent utilities and instrumentation equipment from freezing.

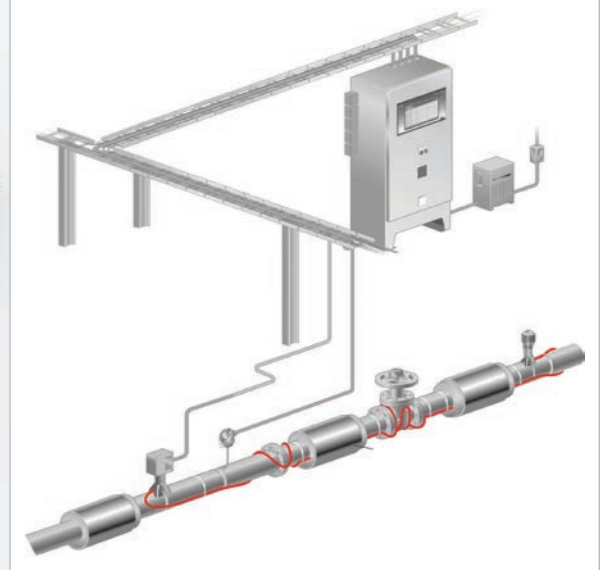


Heat Management System

A Heat Management System (HMS) is an engineered system designed to maintain or protect process piping, equipment, vessels and instrumentation at pre-determined temperatures and within defined design criteria.

Components of an HMS:

- Heat Delivery System
- Control & Monitoring
- Supervisory Software
- Power Distribution
- Thermal Insulation
- Instrument Winterization



For more info, visit chemelex.com

Instrumentation and Tubing Bundles

- Heated Instrument Enclosures
- Impulse Lines
- Sample Lines

