

Heat Management System for the Mining Industry

Raychem

Process Piping Systems Tracing

- Firewater piping
- Sewer system piping
- Worker Camp Utility Piping
- Fresh water lines



Field Pipe Tracing

- Transfer lines
- Dewatering lines
- Slurry lines

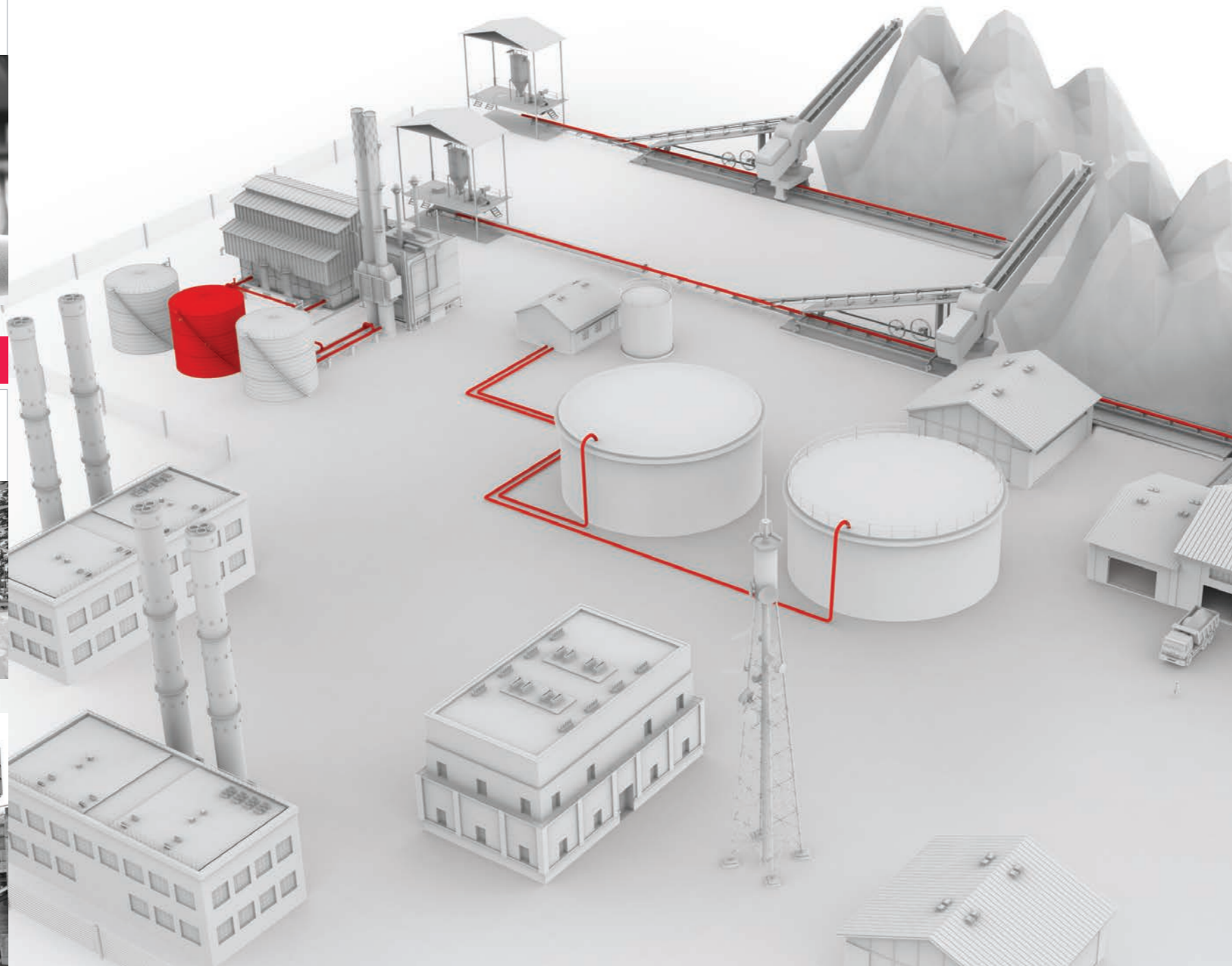


Equipment Tracing

- Conveyer systems
- Hoppers and Chutes
- Truck wash slab de-icing



Mining processing plants are complex in the production of various minerals, metals and deposits. They are often in remote locations, have a limited operation lifespan and are subject to strict environmental standards. Keeping them operating efficiently is crucial. Chemelex provides a complete heat management system engineered to protect critical process lines and equipment from freezing.

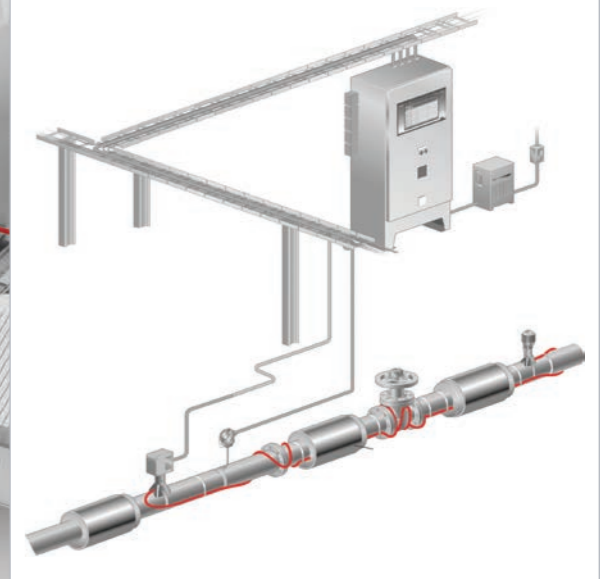


Heat Management System

A Heat Management System (HMS) is an engineered system designed to maintain or protect process piping, equipment, vessels and instrumentation at pre-determined temperatures and within defined design criteria.

Components of an HMS:

- Heat Delivery System
- Control & Monitoring
- Supervisory Software
- Power Distribution
- Thermal Insulation
- Instrument Winterization



For more info, visit chemelex.com

chemelex